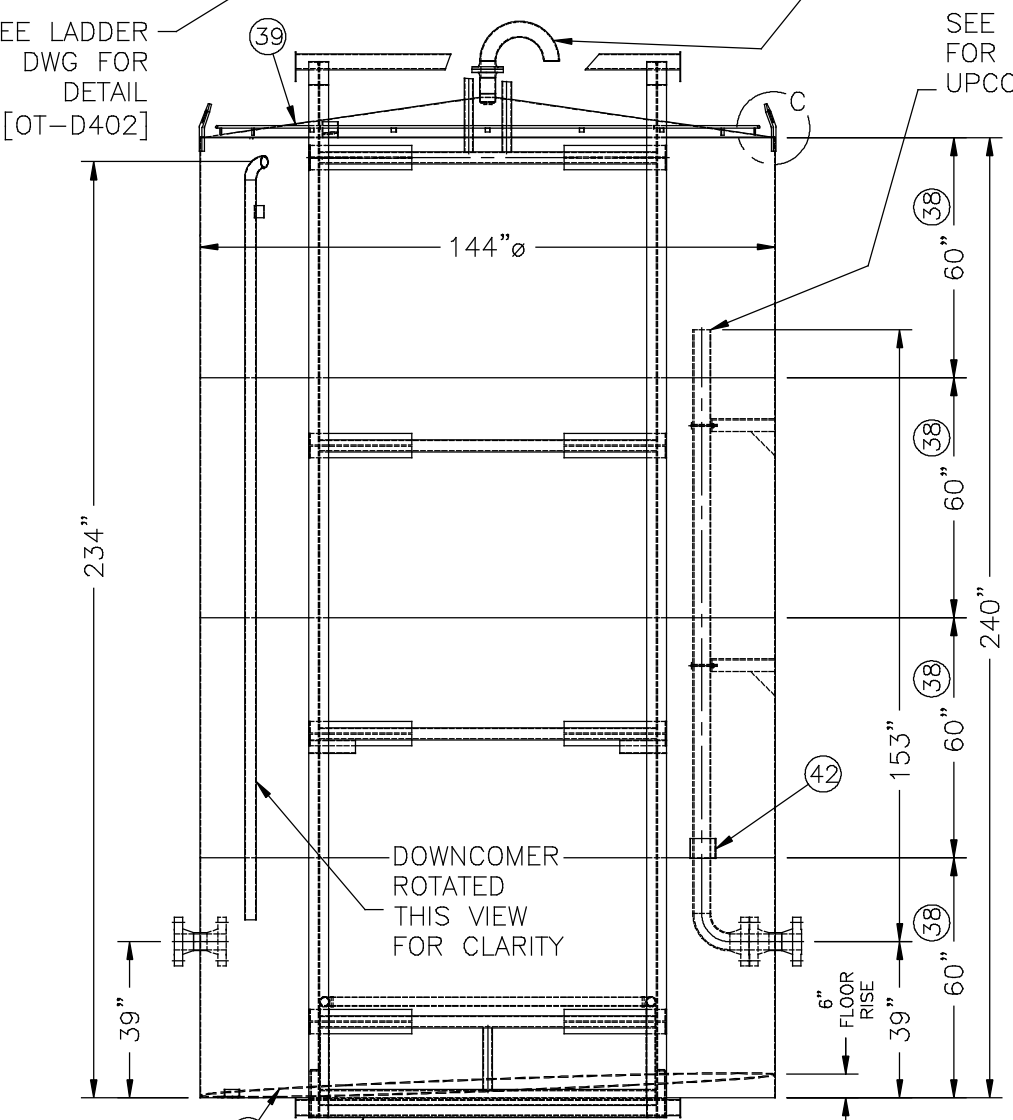


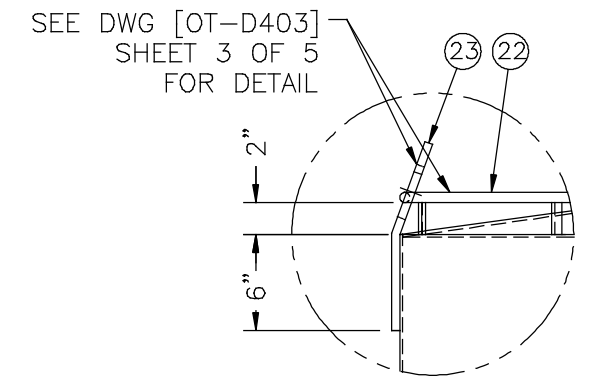
SEE DETAIL #4 FOR DETAIL DWG [OT-D401] SHEET 2 OF 5

SEE DETAIL 1 ON DWG [OT-D401] SHEET 2 OF 5

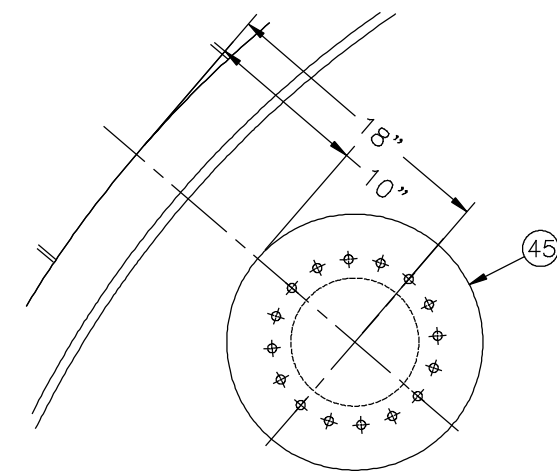
SEE LADDER DWG FOR DETAIL [OT-D402]



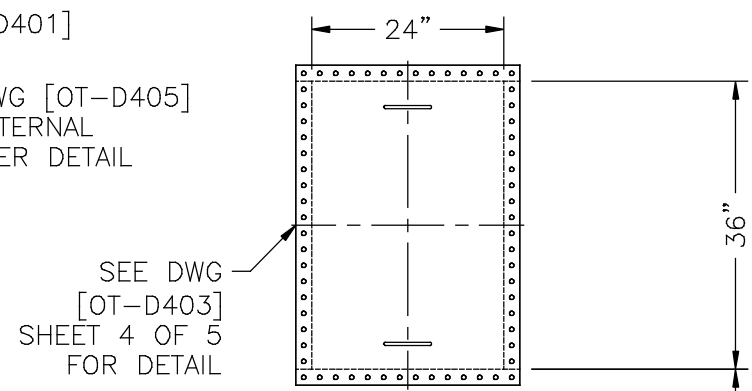
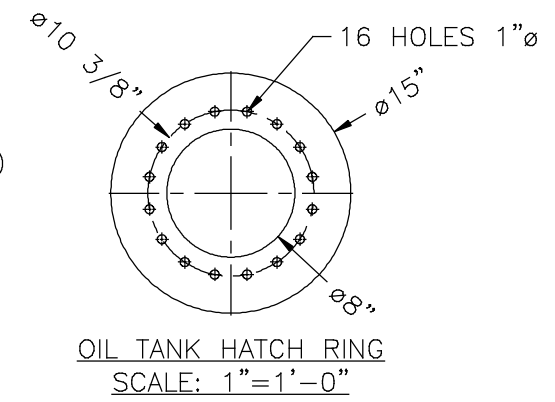
SEE DWG [OT-D401L] SHEET 2 OF 5 FOR DETAIL



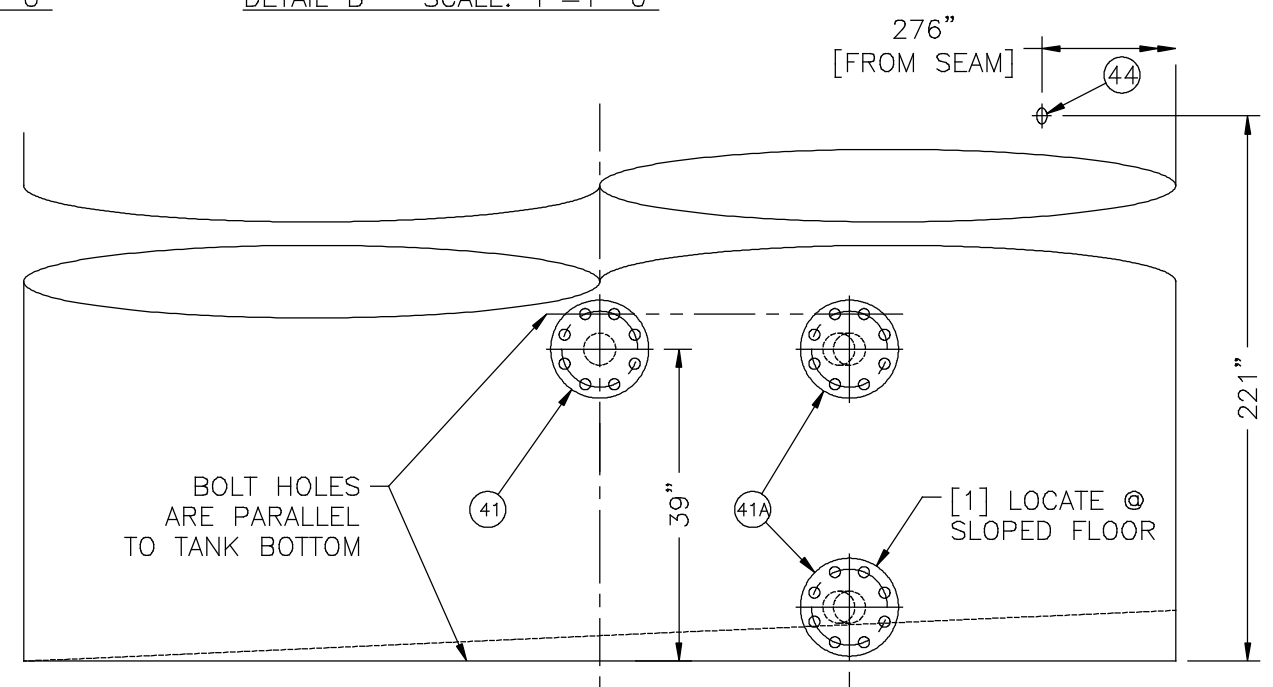
DETAIL C - SCALE: 1"=1'-0"



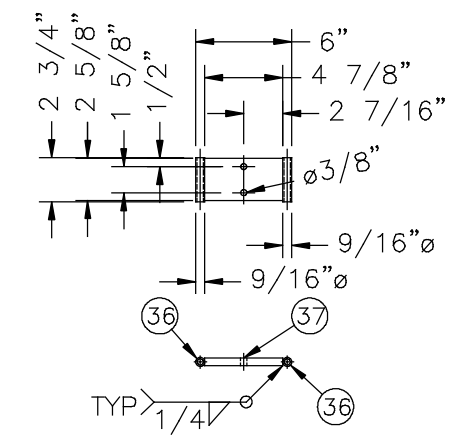
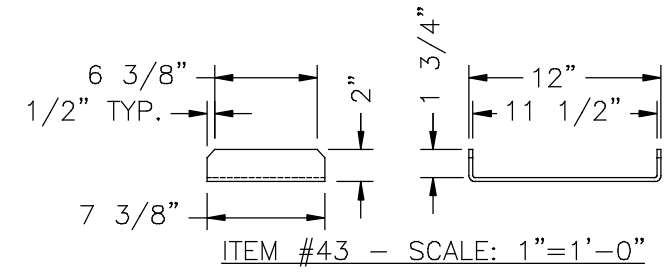
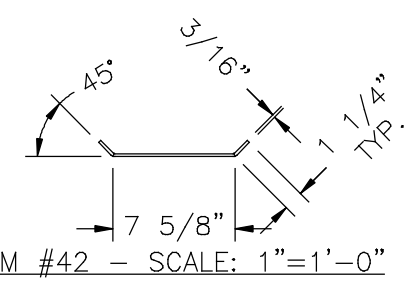
DETAIL B - SCALE: 1"=1'-0"



DETAIL D:D - SCALE: 1/2"=1'-0"



DETAIL A:A - SCALE: 1/2"=1'-0"



ITEM	PART NO.	DESCRIPTION	QTY.
47		1/2" PLATED HEX NUT	16
46		1/2" X 1 1/2" SQ. HEAD GALV. TANK BOLTS	16
45		3/16" HR PLATE X 15" OD X 8" ID	1
44		2" [SCH.40] PIPE COUPLER	1
43		SKID CORNER REIN. 1/4" X 1 3/4" X 7 3/8" X 16"	2
42		SERIAL # BRACKET 1/4" X 5" X 10" MS PLATE	1
41A		4" 150 RFWN C/W 3" EXTENSION	2
41		4" 150 RFWN W/3" EXTENSION	5
40		BOTTOM 143 1/4" X 1/4" THK MS PLATE	1
39		CONE 144 15/16" X 72 15/32" X 3/16" THK MS PLATE	2
38		TANK 60" X 452" X 3/16" THK MS PLATE	4
37		INDICATOR 1/2" X 2 5/8" X 4 7/8" MS PLATE	1
36		INDICATOR TUBE 9/16" OD X 3/8" ID X 2 3/4" LONG	2

DATE: 10/14/11  
DRAWN BY: DJW  
CHECKED BY: -  
SCALE: 1/4"=1'-0"  
STATUS: -  
DRAWING No: OT-D400MF  
REV. # 0



400 BARREL STORAGE OIL TANK GA SHEET 1 OF 5 [MUIRFIELD]

THIS DRAWING AND ANY INFORMATION CONTAINED HEREIN IS THE SOLE PROPERTY OF RANCHERS WELDING AND SHALL BE RETURNED UPON REQUEST. IT MAY NOT BE REPRODUCED IN WHOLE OR IN PART WITHOUT THE EXPRESS WRITTEN PERMISSION OF RANCHERS WELDING. THIS DISCLAIMER PERTAINS TO ALL MEDIA FORM INCLUDING ELECTRONIC MAIL.

DATE	REV.	REVISION	INITIALS